

Twist Stopper
Temco Twist stopper DST

TEMCO

Twist Stopper DST

Types, Sizes, Surfaces

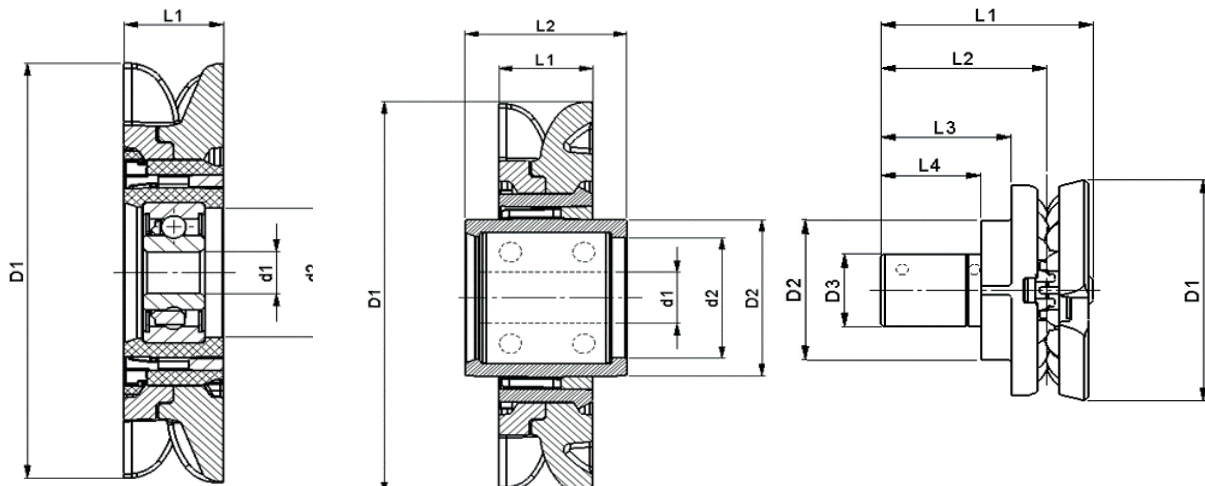


Filament friendly for
highest yarn quality

Twist Stopper DST

Figures and Overview

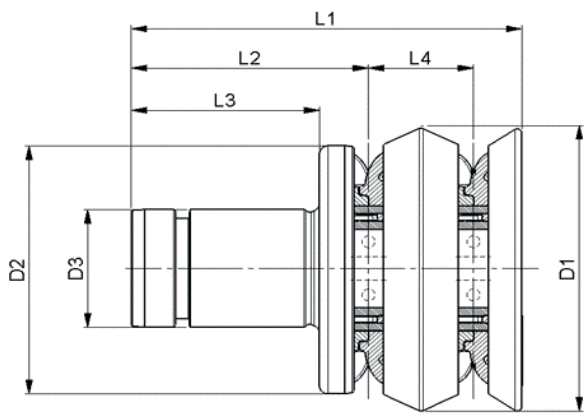
Product figures



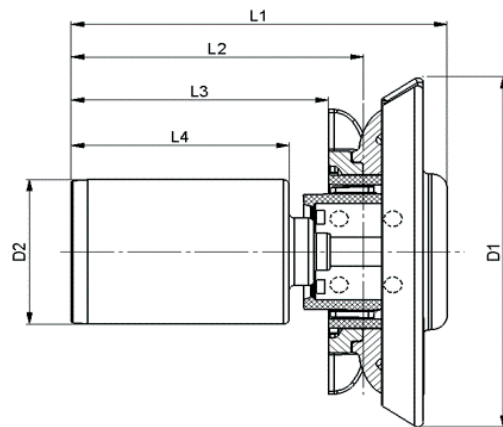
Design A

Design B

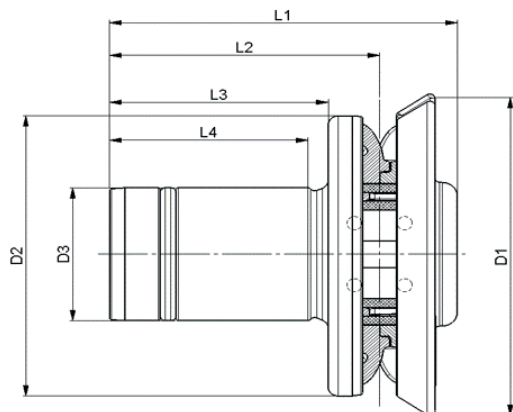
Design C



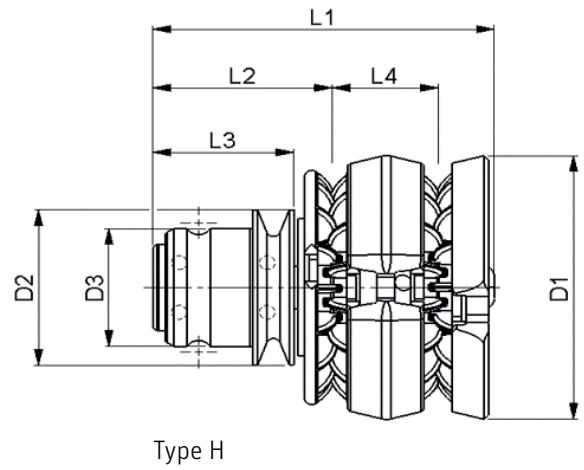
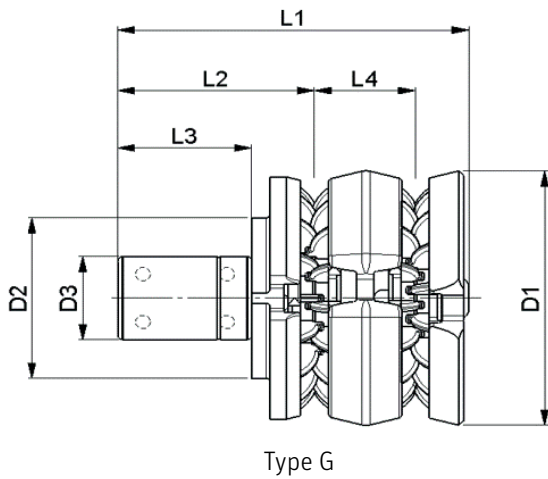
Type D



Type E



Type F



Product overview

Type	Design / Type	Single (S) Double (D)	Ceramic colour	max. yarn speed [m/min]	max. titer [dtex]	D1	D2	D3	L1	L2	L3	L4	d1	d2
DST3063/D-08	C / G	D	pink	1500	300	33,6	21,2	11	41,8	23,4	15,9	12	-	-
DST3063/D-10	C / H	D	pink	1500	300	33,6	19,8	15	38,8	20,4	16,0	12	-	-
DST3063-14	C	S	pink	1500	300	33,6	21,2	11	29,5	23,1	18,1	13,9	-	-
DST3063-14.01	C	S	pink	1500	300	33,6	21,2	15	33	26,6	21,6	17,4	-	-
DST3065D-1R.101	A / D	D	white	1500	300	36,4	32	15	44,6	27,1	21,5	12	-	-
DST3065S-1R.000	A	S	white	1500	300	30	-	-	6,4	-	-	-	3	9,2
DST3065S-2R.000	B	S	white	1500	300	30	12	-	6,4	11	-	-	3,9	9,2
DST3065S-2R.100	B / E	S	white	1500	300	36,4	15	-	34,7	26,9	23,7	20	-	-
DST3065S-2R.101	B / F	S	white	1500	300	36,4	32	15	34,5	26,8	21,7	20	-	-

Rieter Components Germany GmbH

Temco
Fuldaer Str. 19
97762 Hammelburg
T +49 9732 87 0
sales@temco.de

www.temco.de



The data and illustrations in this brochure and on the corresponding data carrier refer to the date of printing. Temco reserves the right to make any necessary changes at any time and without special notice. Temco systems and Temco innovations are protected by patents.

XXXX-v1 en 2410